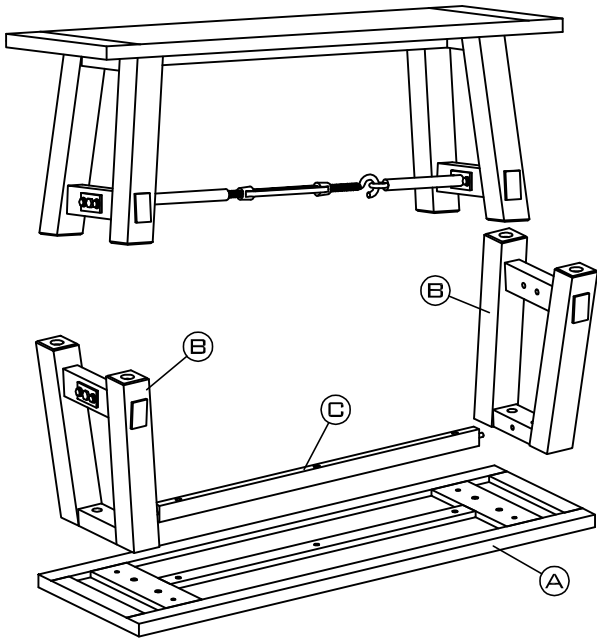


ASSEMBLY INSTRUCTIONS CARTER DINING BENCH



- PLEASE DO NOT DISCARD ANY OF THE PACKAGING UNTIL YOU HAVE CHECKED ALL THE PARTS AND THE PACKS OF FITTINGS.

- BEFORE YOU BEGIN TO ASSEMBLE YOUR NEW PIECE OF FURNITURE, PLEASE CHECK TO ENSURE THAT ALL PARTS HAVE BEEN SUPPLIED.

- FOLLOW INSTRUCTIONS CLOSELY AS DEVIATION FROM THEM MAY VOID YOUR WARRANTY AND PRESENT A POSSIBLE SAFETY RISK.

- IT IS RECOMMENDED THAT ASSEMBLY IS DONE ON A SOFT SURFACE LIKE CARPET TO AVOID ANY DAMAGE.

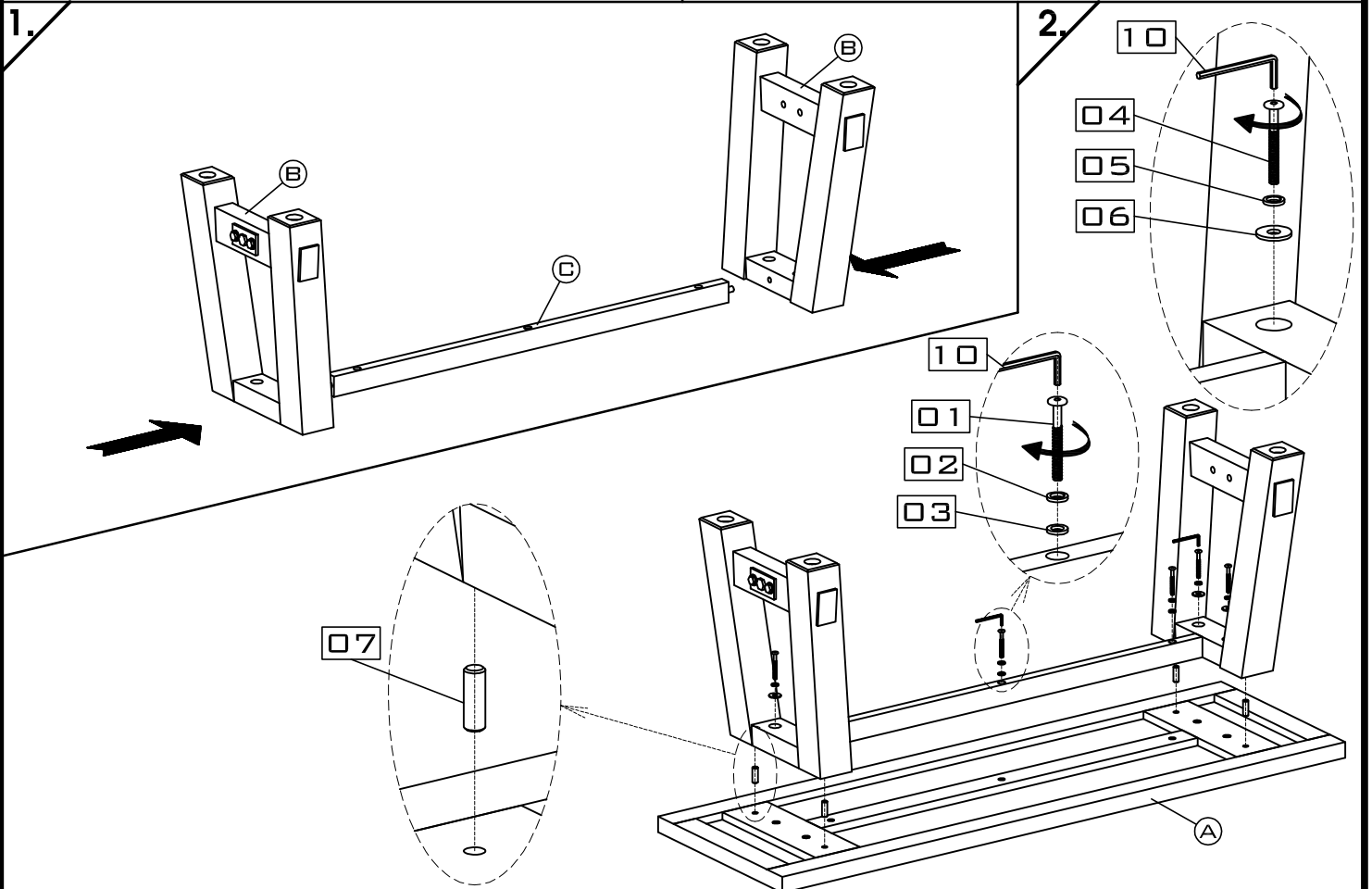
- PERIODICALLY CHECK AND RE-TIGHTEN ANY FASTENERS. WIPE DOWN ALL SURFACES WEEKLY WITH A CLEAN CLOTH. DO NOT CLEAN ANY SURFACES WITH HARSH ABRASIVES OR CHEMICALS.

PARTS CHECK LIST

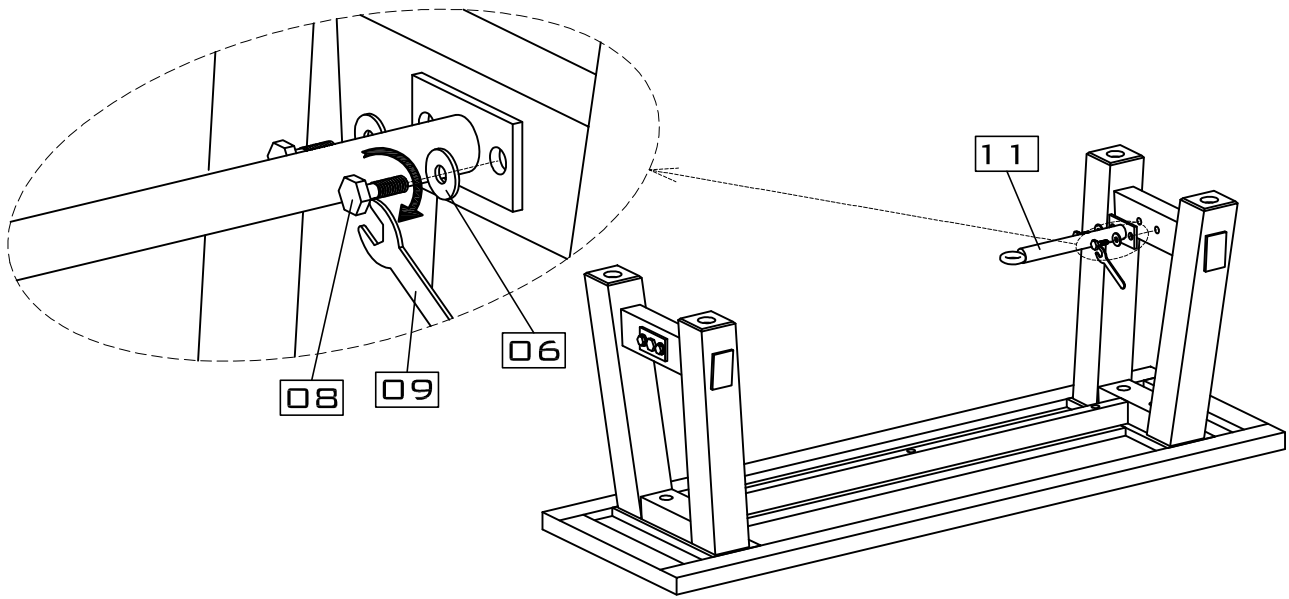
CODE	COMPONENTS	QTY
(A)	TOP SEAT	X01
(B)	LEG FRAME	X02
(C)	SUPPORT	X01

FITTINGS CHECK LIST

CODE	COMPONENTS	QTY
01	SMALL ALLEN BOLT	X03
02	SMALL SPRING WASHER	X03
03	SMALL FLAT WASHER	X03
04	BIG ALLEN BOLT	X04
05	BIG SPRING WASHER	X04
06	BIG FLAT WASHER	X08
07	DOWEL	X04
08	HEXAGON BOLT	X04
09	SPANNER	X01
10	ALLEN KEY	X01
11	SHORT POLE	X01
12	LONG POLE	X01



3.



4.

