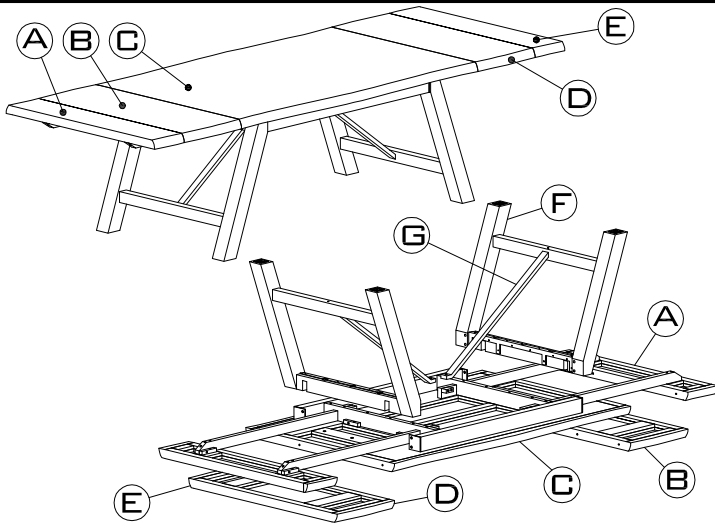


# ASSEMBLY INSTRUCTIONS

## GRAYSON EXTENSION DINING TABLE



### PARTS CHECK LIST

CODE	COMPONENTS	QTY
(A) (C) (E)	TABLE TOP	x01
(B) (D)	LEAF TOP	x02
(F)	LEG FRAME	x02
(G)	STRETCHER	x02

### FITTINGS CHECK LIST

CODE	DESCRIPTION	QTY
01	SHORT BOLT M8x30	x08
02	MEDIUM BOLT M8x50	x04
03	LONG BOLT M8x90	x06
04	SPRING WASHER	x16
05	FLAT WASHER	x16
06	ALLEN KEY	x01

- PLEASE DO NOT DISCARD ANY OF THE PACKAGING UNTIL YOU HAVE CHECKED ALL THE PARTS AND THE PACKS OF FITTINGS.  
 - BEFORE YOU BEGIN TO ASSEMBLE YOUR NEW PIECE OF FURNITURE, PLEASE CHECK TO ENSURE THAT ALL PARTS HAVE BEEN SUPPLIED.  
 - FOLLOW INSTRUCTIONS CLOSELY AS DEVIATION FROM THEM MAY VOID YOUR WARRANTY AND PRESENT A POSSIBLE SAFETY RISK.  
 - IT IS RECOMMENDED THAT ASSEMBLY IS DONE ON A SOFT SURFACE LIKE CARPET TO AVOID ANY DAMAGE.  
 - PERIODICALLY CHECK AND RE-TIGHTEN ANY FASTENERS. WIPE DOWN ALL SURFACES WEEKLY WITH A CLEAN CLOTH. DO NOT CLEAN ANY SURFACES WITH HARSH ABRASIVES OR CHEMICALS.

