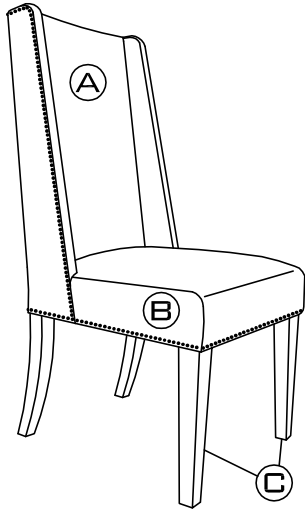


# ASSEMBLY INSTRUCTIONS


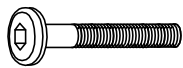

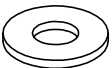

## MORGAN CHAIR



### PARTS CHECK LIST

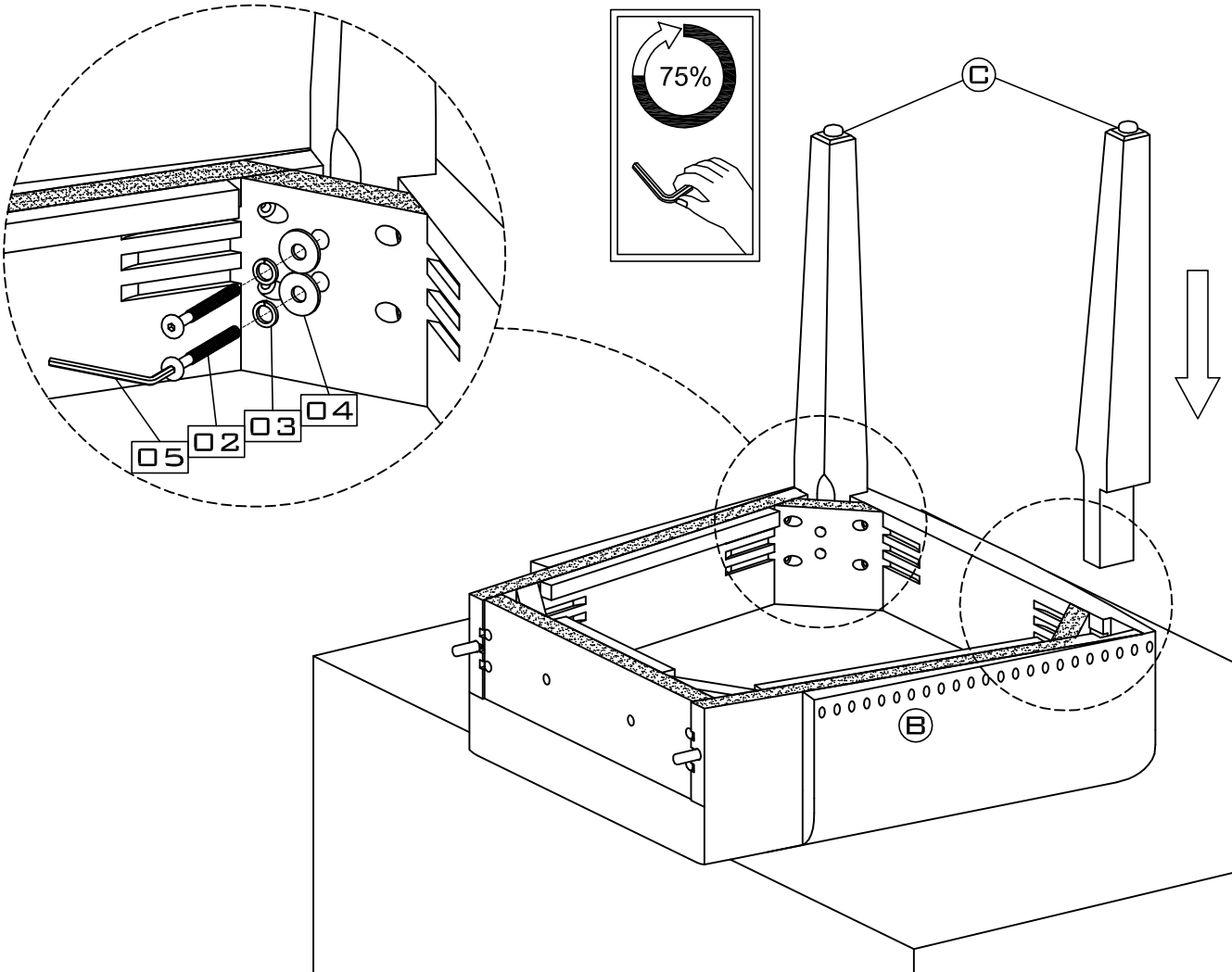
CODE	COMPONENTS	QTY
(A)	CHAIR BACK	x1
(B)	CHAIR SEAT	x1
(C)	LEG	x2

### FITTINGS CHECK LIST

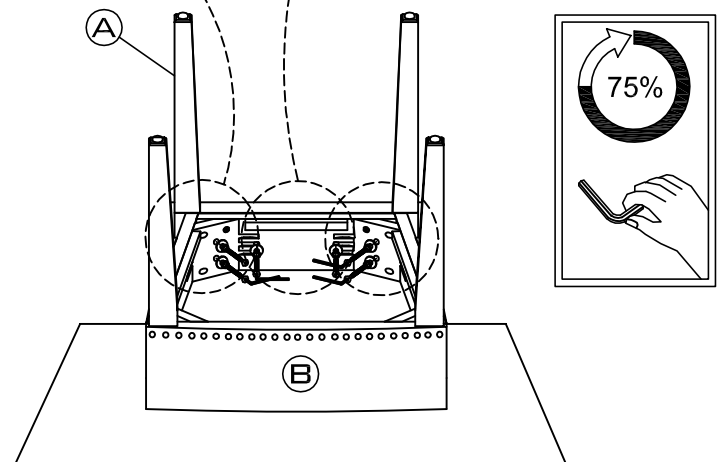
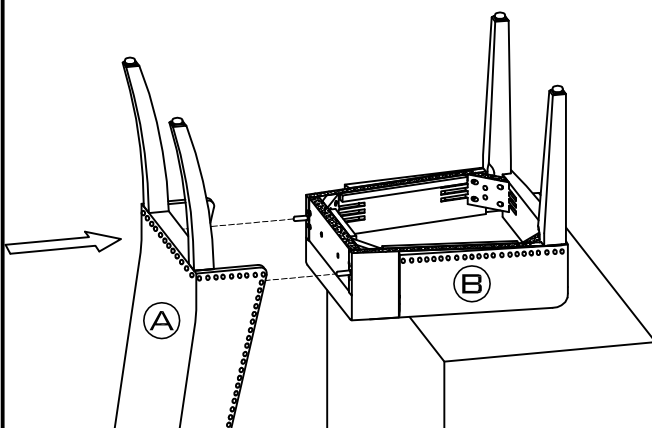
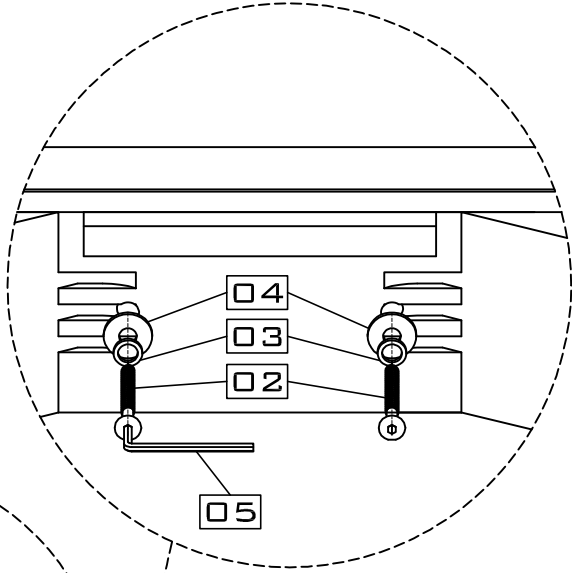
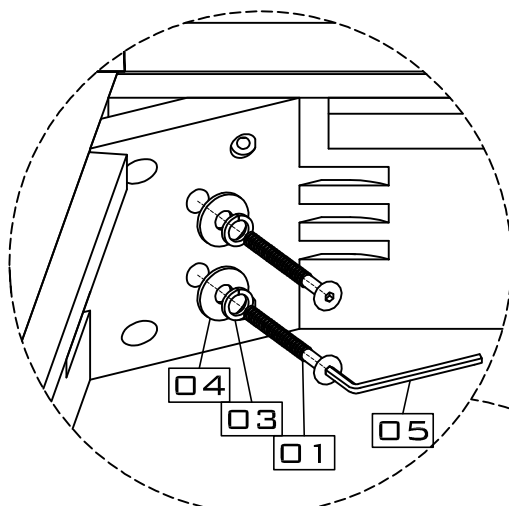
CODE	DESCRIPTION	QTY
01	LONG BOLT 	x4
02	SHORT BOLT 	x6
03	SPRING WASHER 	x10
04	FLAT WASHER 	x10
05	ALLEN KEY 	x1

- Before you begin to assemble your new piece of furniture, please check to ensure that all parts have been supplied. Do not discard of any packaging until you have completed assembly and checked all the parts and fittings packs.
- Follow instructions closely as deviations from them may void your warranty and present a possible safety risk.
- It is recommended that assembly is done on a soft surface, such as carpet to avoid any damage.
- Re-tighten the screws every six months.
- Wipe down all surfaces weekly with a clean cloth. Do not clean any surfaces with harsh abrasives or chemicals.
- Maximum load bearing – 150 kg (330 lbs)

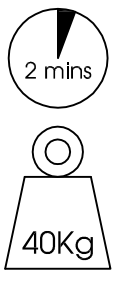
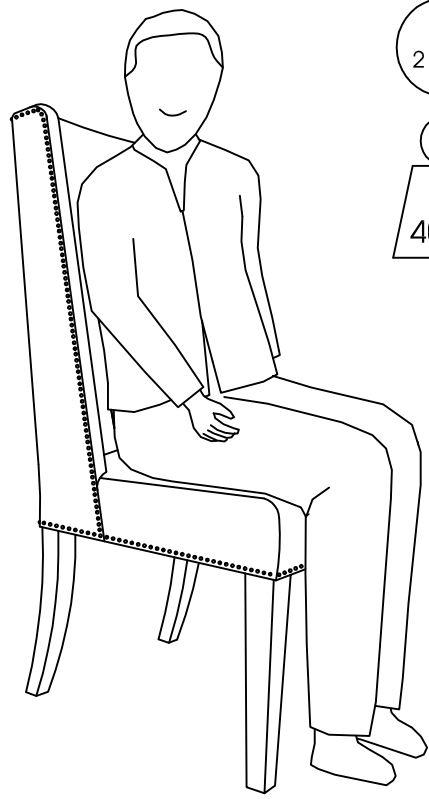
1.



2.



3.



4.

