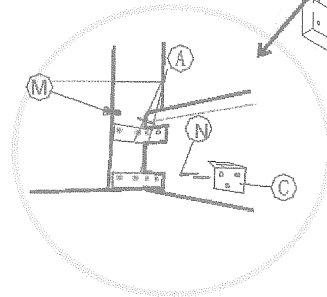
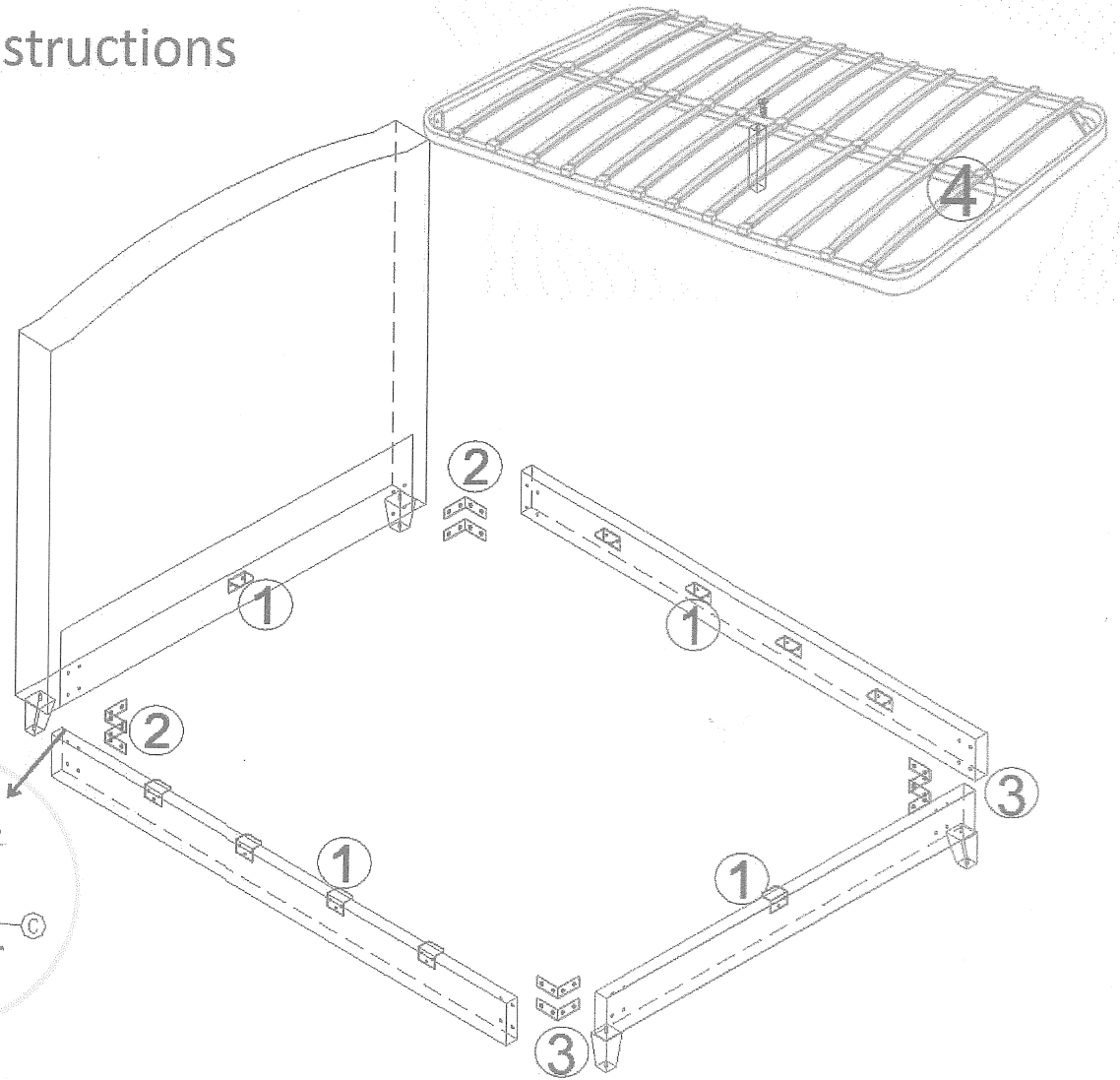
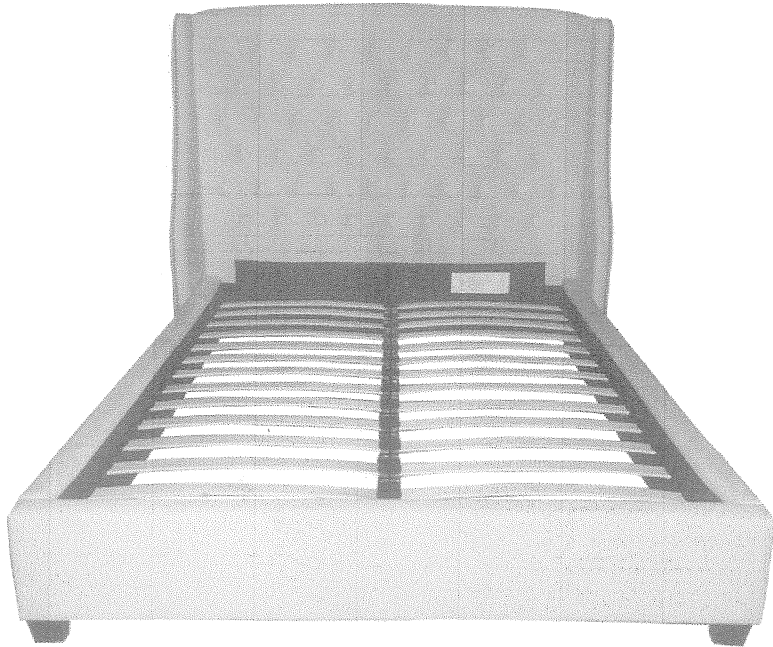










Assembly Instructions



Accessory Code	Quantity	Accessory
A	8 Pcs	
C	10 Pcs	
M	32 Pcs	 30*8mm
N	30 Pcs	 30*5mm
	1 Pcs	
X	10 Pcs	 Black cotton pad diameter 28mm
Y	2 Pcs	 Height 22cm
Z	0 Pcs	

Steps:	Please refer to the picture for specific operations
①	Install C type angle irons on the headboard, Bed end, bedside, and pad paste X
②	Use A type angle irons to fix the headboard and Bedside
③	Use A type angle irons to fix the bed end and Bedside, and install the feet Z
④	Install the stand Y and the slat Slat foot can be adjusted in accordance with the slat

☆Note: The 32 bolts for part M. 32 screws are not in the hardware kit, they are pre-screwed on frame in the holes.

